

Smart gas cylinder meters with IOT technology

MF5806G series

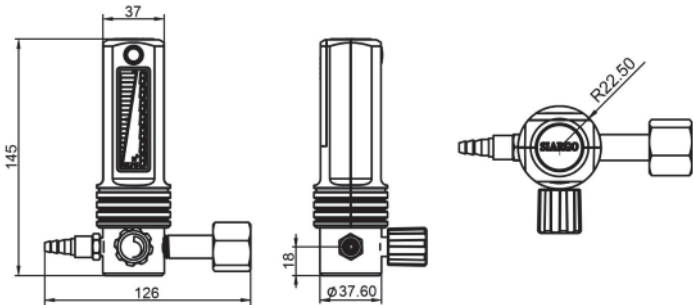
The products provides a complete solution to smart manage a gas cylinder for its usage, inventory and production via the proprietary MEMS sensors and the state-of-the-art IOT (internet of things). The pressure regulator is fully customizable.

Features

- ⦿ Gas consumption and instant flowrate
- ⦿ Battery powered BT LE or GPRS data transmission
- ⦿ Gas consumption high/low alarm
- ⦿ User friendly APP provides interactions and data
- ⦿ Cloud computing eases the inventory, dispatch & Production

Applications

- * Medical oxygen cylinder for homecare
- * Welding gas cylinder management
- * Laboratory gas cylinder management
- * Consumer (BBQ) gas cylinder
- * Smart gas data
- * Gas cylinder manufacture production, inventory and dispatch management



Siargo Ltd.
 Santa Clara, California
www.Siargo.com
 408.969.0368
info@Siargo.com



Specifications

Model	MF5806-G-20/50	Unit
Flow range	0 ~ 20 SLPM / 0 ~ 50 SLPM	
Accuracy	±(2.0+0.5FS)	%
Power supply	2 x AA batteries(LR6) or AC adapter (6 ~ 24 Vdc)	
Power consumption	≤0.5	mW
Wireless output	Bluetooth LE 4.2; GPRS (optional); WIFI (optional)	
Display information	Instant flow: SLPM; Totalized flow: m ³	
Keyboard	1 key	
User function	Password; alarm limit; totalized flow; offset reset	
Max. pressure	0.8	MPa
Working temperature	-10 ~ +55	°C
Battery life	800 hrs - continuous operation; 2300 hrs - meter continuous operation with BT off	
Data port	miniUSB (optional)	
Mech. connection	Gas cylinder connection (customizable)	
Weight	350	g

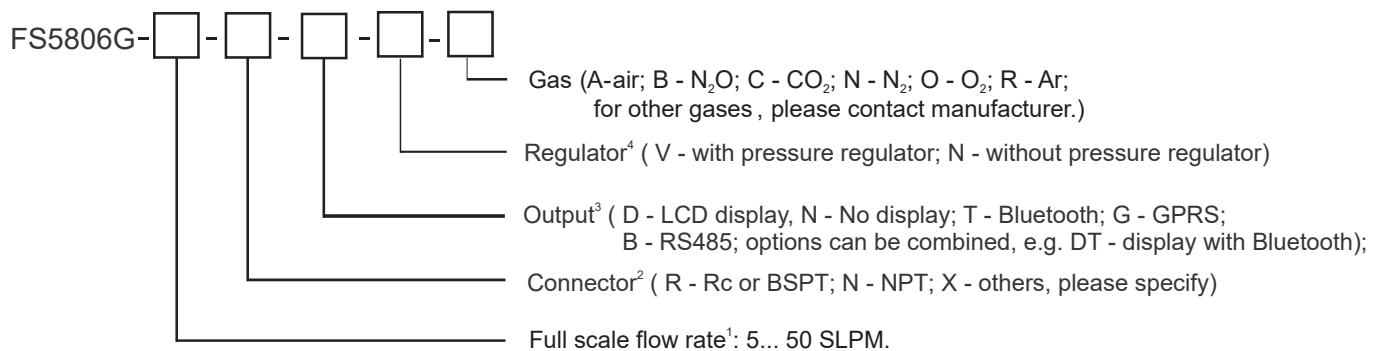
Notes: * The above parameters are applicable at 20°C and 101.325kPa, air calibration.

** Meter head can be rotated 180 degree for convenience at installation and reading.

*** The weight applies to meter body only, valve is not included.

Order information

The sensor part number is composed of the model number and suffix indicating the full scale flow rate, output format as well as the calibration gas. Refer to the followings for details.



1. Numerical maximum flow rate only, for example, 50 meaning full scale flow rate of 50SLPM.

For CO₂ and N₂O, selectable: 2, 3 and 4 SLPM (5 SLPM is not available); 10, 20, 30 and 40 SLPM (50 SLPM is not available).

2. For other mechanical connectors, please contact manufacturer.

3. The meters are shipped with standard RS485 and Bluetooth interface. "SmartCylinder" APP can be downloaded from Google Play Store or Apple APP Store. For other interfaces, please contact manufacturer.

4. Please specify the pressure regulator models and types.

• Please find your local sales contact at www.Siargo.com.

• For detailed product information or user manual please contact manufacturer.